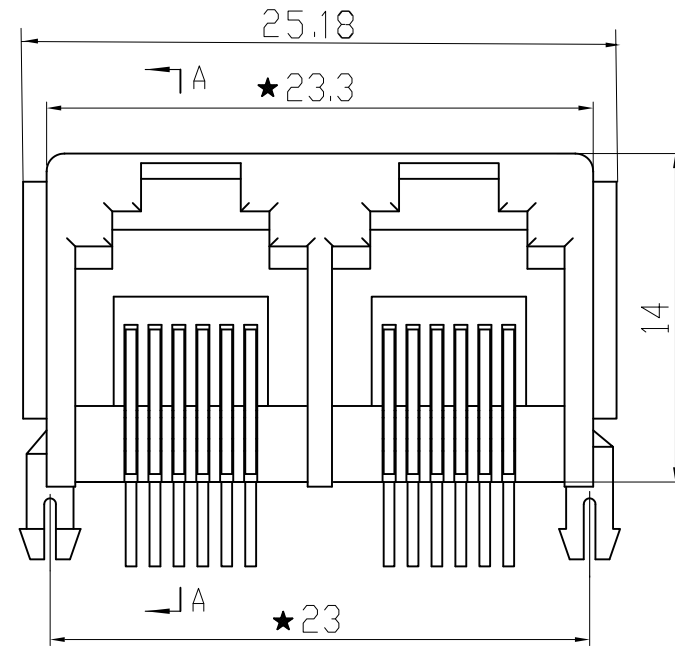
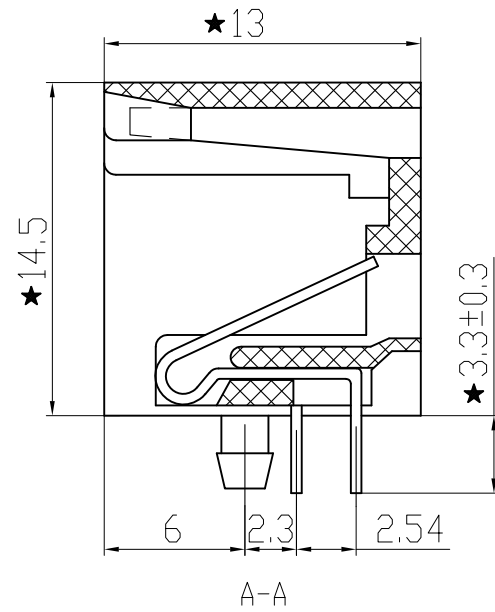
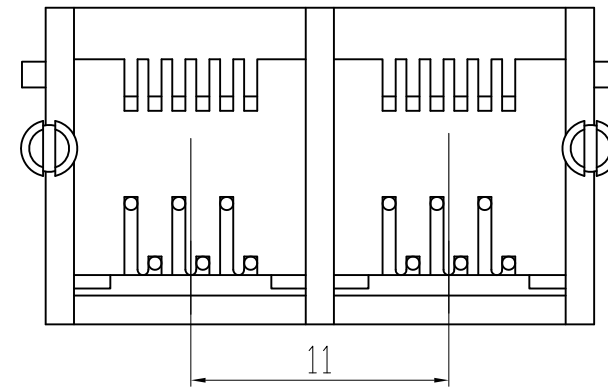


PC Board Layout



PCB JACK Specification
 1. Insulation Resistance: 500MΩMIN @ 500 VDC
 2. Withstanding Voltage: AC1000V 50Hz or 60Hz 1min.
 3. Durability: 600 Mating Circles MIN.
 4. Gold Plating: (3;6;15;30;50)u inch

Remark:
 1. The mark with ★ is the key inspection dimension for QC

Tolerances Unless		TELL	0769-81585156		Http://www.coorle.cn		Coorle 库乐科技		
		Fax	0769-81605156						
0~10mm	±0.1	Units	MM	Drawing			Material	Name	5521 6P6C 1X2-E
11mm~20mm	±0.2	Scale	1 : 1	Check					
21mm~40mm	±0.3	Rev'	A / 1	Approval			HOUSING	PBT	Part Number
41mm~80mm	±0.4	View		Date	2008/06/05	PIN	Qsn6.5-0.1	File Name	
81mm~150mm	±0.5								